

User Manual

The Remote Control of Tripod Turnstile

Date: February 2021

Doc Version: 1.0

English

Thank you for choosing our product. Please read the instructions carefully before operation. Follow these instructions to ensure that the product is functioning properly. The images shown in this manual are for illustrative purposes only.



For further details, please visit our Company's website
www.zkteco.com.

Copyright © 2021 ZKTECO CO., LTD. All rights reserved.

Without the prior written consent of ZKTeco, no portion of this manual can be copied or forwarded in any way or form. All parts of this manual belong to ZKTeco and its subsidiaries (hereinafter the "Company" or "ZKTeco").

Trademark

ZKTeco is a registered trademark of ZKTeco. Other trademarks involved in this manual are owned by their respective owners.

Disclaimer

This manual contains information on the operation and maintenance of the ZKTeco equipment. The copyright in all the documents, drawings, etc. in relation to the ZKTeco supplied equipment vests in and is the property of ZKTeco. The contents hereof should not be used or shared by the receiver with any third party without express written permission of ZKTeco.

The contents of this manual must be read as a whole before starting the operation and maintenance of the supplied equipment. If any of the content(s) of the manual seems unclear or incomplete, please contact ZKTeco before starting the operation and maintenance of the said equipment.

It is an essential pre-requisite for the satisfactory operation and maintenance that the operating and maintenance personnel are fully familiar with the design and that the said personnel have received thorough training in operating and maintaining the machine/unit/equipment. It is further essential for the safe operation of the machine/unit/equipment that personnel has read, understood and followed the safety instructions contained in the manual.

In case of any conflict between terms and conditions of this manual and the contract specifications, drawings, instruction sheets or any other contract-related documents, the contract conditions/documents shall prevail. The contract specific conditions/documents shall apply in priority.

ZKTeco offers no warranty, guarantee or representation regarding the completeness of any information contained in this manual or any of the amendments made thereto. ZKTeco does not extend the warranty of any kind, including, without limitation, any warranty of design, merchantability or fitness for a particular purpose.

ZKTeco does not assume responsibility for any errors or omissions in the information or documents which are referenced by or linked to this manual. The entire risk as to the results and performance obtained from using the information is assumed by the user.

ZKTeco in no event shall be liable to the user or any third party for any incidental, consequential, indirect, special, or exemplary damages, including, without limitation, loss of business, loss of profits, business interruption, loss of business information or any pecuniary loss, arising out of, in connection with, or

relating to the use of the information contained in or referenced by this manual, even if ZKTeco has been advised of the possibility of such damages.

This manual and the information contained therein may include technical, other inaccuracies or typographical errors. ZKTeco periodically changes the information herein which will be incorporated into new additions/amendments to the manual. ZKTeco reserves the right to add, delete, amend or modify the information contained in the manual from time to time in the form of circulars, letters, notes, etc. for better operation and safety of the machine/unit/equipment. The said additions or amendments are meant for improvement /better operations of the machine/unit/equipment and such amendments shall not give any right to claim any compensation or damages under any circumstances.

ZKTeco shall in no way be responsible (i) in case the machine/unit/equipment malfunctions due to any non-compliance of the instructions contained in this manual (ii) in case of operation of the machine/unit/equipment beyond the rate limits (iii) in case of operation of the machine and equipment in conditions different from the prescribed conditions of the manual.

The product will be updated from time to time without prior notice. The latest operation procedures and relevant documents are available on <http://www.zkteco.com>

If there is any issue related to the product, please contact us.

ZKTeco Headquarters

Address ZKTeco Industrial Park, No. 32, Industrial Road,
Tangxia Town, Dongguan, China.

Phone +86 769 - 82109991

Fax +86 755 - 89602394

For business-related queries, please write to us at: sales@zkteco.com.

To know more about our global branches, visit www.zkteco.com.

About the Company

ZKTeco is one of the world's largest manufacturer of RFID and Biometric (Fingerprint, Facial, Finger-vein) readers. Product offerings include Access Control readers and panels, Near & Far-range Facial Recognition Cameras, Elevator/floor access controllers, Turnstiles, License Plate Recognition (LPR) gate controllers and Consumer products including battery-operated fingerprint and face-reader Door Locks. Our security solutions are multi-lingual and localized in over 18 different languages. At the ZKTeco state-of-the-art 700,000 square foot ISO9001-certified manufacturing facility, we control manufacturing, product design, component assembly, and logistics/shipping, all under one roof.

The founders of ZKTeco have been determined for independent research and development of biometric verification procedures and the productization of biometric verification SDK, which was initially widely applied in PC security and identity authentication fields. With the continuous enhancement of the development and plenty of market applications, the team has gradually constructed an identity authentication ecosystem and smart security ecosystem, which are based on biometric verification techniques. With years of experience in the industrialization of biometric verifications, ZKTeco was officially established in 2007 and now has been one of the globally leading enterprises in the biometric verification industry owning various patents and being selected as the National High-tech Enterprise for 6 consecutive years. Its products are protected by intellectual property rights.

About the Manual

This manual introduces the operations of the remote control of tripod turnstile.

All figures displayed are for illustration purposes only. Figures in this manual may not be exactly consistent with the actual products.

Document Conventions

Conventions used in this manual are listed below:

GUI Conventions

For Device	
Convention	Description
< >	Button or key names for devices. For example, press <OK>
[]	Window names, menu items, data table, and field names are inside square brackets. For example, pop up the [New User] window
/	Multi-level menus are separated by forwarding slashes. For example, [File/Create/Folder].

Symbols






Convention	Description
	This implies about the notice or pays attention to, in the manual
	The general information which helps in performing the operations faster
	The information which is significant
	Care taken to avoid danger or mistakes
	The statement or event that warns of something or that serves as a cautionary example.

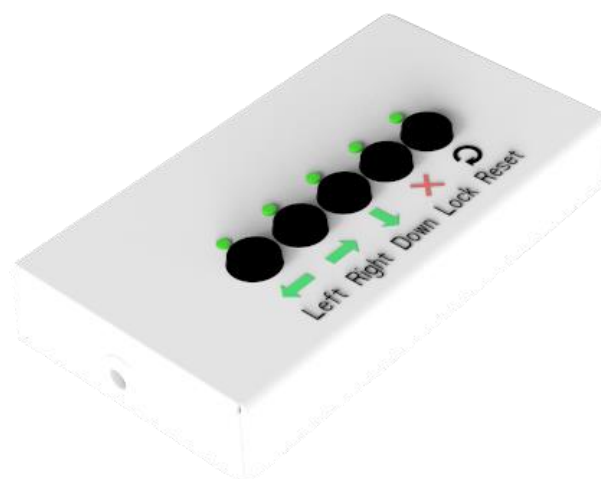
Table of Contents

1	OVERVIEW.....	7
1.1	FEATURES	7
1.2	WIRELESS REMOTE CONTROL SPECIFICATIONS ★	8
1.3	DIMENSION.....	8
1.4	BUTTONS.....	9
2	REMOTE CONTROL CODE MATCHING.....	11
2.1	WIRED REMOTE CONTROL.....	11
2.2	WIRELESS REMOTE CONTROL★	12
3	BATTERY REPLACEMENT★.....	14

1 Overview

The remote control of the tripod turnstile is an intelligent device that controls the entrance and exit. The device usage digital technology design with artificial intelligence analysis function. Because of the small size, ease of use, and reliable performance, these are widely used in remote control of schools, neighbourhoods, shopping malls, office buildings, and other entrances and exits tripod turnstile equipment.

There are two types of remote control of the tripod turnstile. They are Wired Remote Control and Wireless Remote Control. The wired remote control comes with the tripod turnstile equipment as standard, which is connected with the tripod turnstile controller and installed in the control room for the administrator to control manually. And the wireless remote control is optional.



1.1 Features

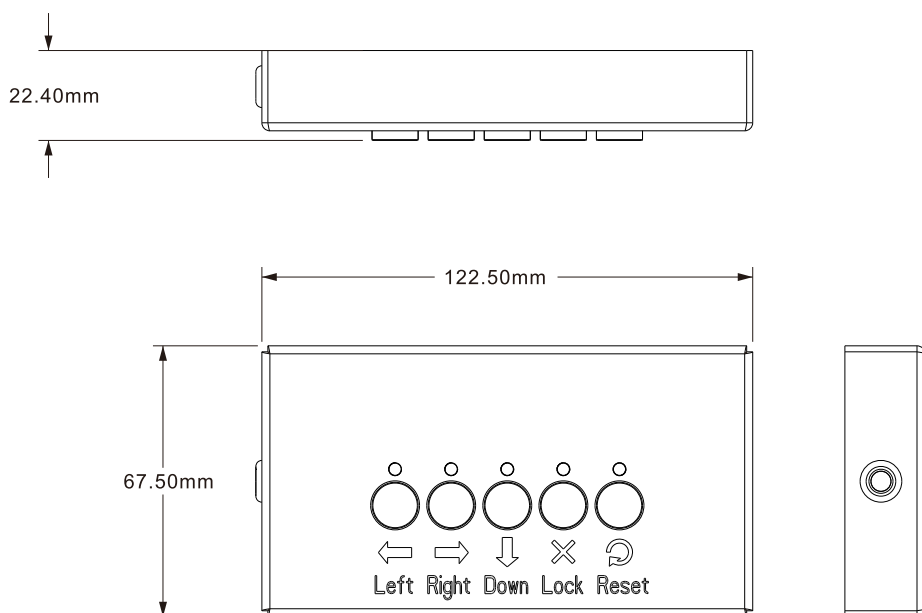
- A powerful device with a stylish ergonomic design.
- Built to reduce physical damage and ensure the longevity of the remote control.
- Button life of up to 100,000 rounds of the button press.
- Uses wireless radio frequency (non-directional) ★.
- Strong anti-interference ability and high transmission sensitivity.
- It has high transmitting power, long transmission distance, sound meter frequency stabilization, and has stable performance.

1.2 Wireless Remote Control Specifications ★

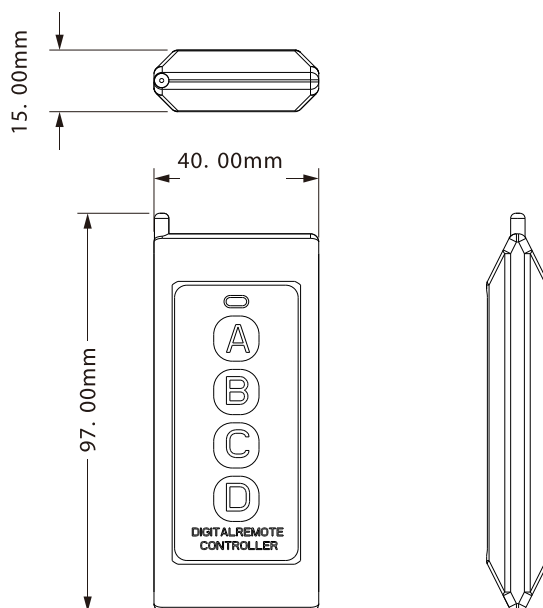
Features	Specification
Product Name	4-Button Wireless Remote Control
Product Model	JD-4K-RC
Encoding	Learning Code (Rolling Code)
Remote Control Distance	150m to 500m (in open space)
Modulation Method	ASK / OOK (Amplitude Modulation)
Operating Temperature	-20°C to 60°C
Power Requirement	DC12V (23A 12V battery)
Operating Current	20mA to 40mA
Frequency	433MHz
Standby Current	< 3uA
Output Power	≤ 10dB
Transmission Rate	< 10Kbps
Dimension (mm)	97 x 40 x 15 (L x W x H)

1.3 Dimension

- **Wired Remote Control**



- **Wireless Remote Control ★**








1.4 Buttons

- **Wired Remote Control**

The wired remote control has five buttons, which are the Left button, Right button, Down button, Lock button, and Reset button. These five independent buttons have individual functions as well as combined functions. Pressing two buttons within the specified time interval can call up a predefined mode.

The following tables describe the modes of different button press actions:

1. Independent functions:

Buttons	Description
	Press the button once to open the tripod turnstile on the left and can pass by swiping the card from the left.
	Press the button once to open the tripod turnstile on the right and can pass by swiping the card from the right.
	In emergency mode, press the button once to fall the gate lever. Then the left and right sides get open and can pass freely without swiping the card.
	Press the button once to raise the gate lever. Then the left and right sides are controlled by the tripod turnstile. The card becomes invalid, and no pass is allowed.
	Press a button once to restore the default left and right swipe card pass mode of the gate.

2. Combined functions:

Status	Description
Left free, Right swipe	Press "  " twice to open the tripod turnstile on both sides. The left side is free to pass without swiping card and can pass by swiping card from the right.
Left swipe, Right free	Press "  " twice to open the tripod turnstile on both sides. The right side is free to pass without swiping card and can pass by swiping card from the left.
Left free, Right free	Press "  " and "  " at the same time to open the tripod turnstile on both sides and both left and right sides can pass freely without swiping the card.
Left forbidden, Right free	First press "  " once, and then press "  " once, then the left side is forbidden to pass, and the right side is free to pass without swiping the card.
Left free, Right forbidden	First press "  " once, and then press "  " once, then the right side is forbidden to pass, and the left side is free to pass without swiping the card.
Left swipe, Right forbidden	First press "  " once, and then press "  " once, then the right side is forbidden to pass, and the left side needs to swipe the card to pass.
Left forbidden, Right swipe	First press "  " once, and then press "  " once, then the left side is forbidden to pass, and the right side needs to swipe the card to pass.

- **Wireless Remote Control★**

The wireless remote control has four buttons A, B, C, and D, corresponding to the options open gate, left the open gate, emergency mode drop-bar pass, and alarm lock bar.

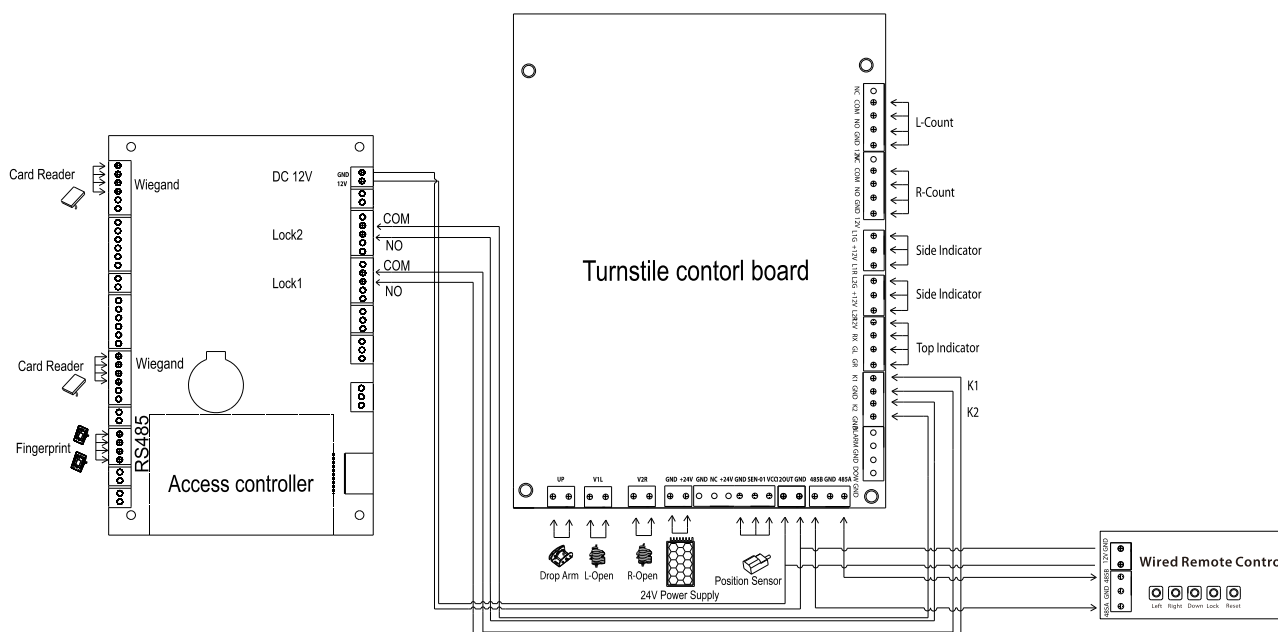
Buttons	Description
A	Press the button once to open the tripod turnstile on the right and can pass by swiping the card from the right.
B	Press the button once to open the tripod turnstile on the left and can pass by swiping the card from the left.
C	In emergency mode, press the button once to fall the gate lever. Then the left and right sides get open and can pass freely without swiping the card.
D	Press the button once to raise the gate lever. Then the left and right sides are controlled by the tripod turnstile. The card becomes invalid, and no pass is allowed.

2 Remote Control Code Matching

The remote control is a channel for transferring data. The remote will obtain the device's entire operations when it can access the control functions identified by the receiving controller. The remote control function can match the original function only when the pin definitions of the decoding IC on the receiving controller and the encoding IC on the remote control are the same. Under normal working circumstances, the tripod turnstile device and the remote control's pin definitions are identical.

2.1 Wired Remote Control

Wired remote control is connected to the controller, then set the controller's code pairing mode to complete the wired remote control's setup.



Dial code description:

The DIP switch is divided in eight dial codes from KE-1 to KE-8. Move the switch Up to turn ON and down to turn OFF.

Description of Function Setting:

- Dial 0 to turn OFF.
- Dial 1 to turn ON.

Dial code function item:

- **Unmanned passage time (KE-1, KE-2, KE-3):**

Switch Status	Time Period
000 (OFF OFF OFF)	5s (Default)
001 (OFF OFF ON)	10s
010 (OFF ON OFF)	15s
011 (OFF ON ON)	20s
100 (ON OFF OFF)	30s
101 (ON OFF ON)	40s
110 (ON OFF ON)	50s
111 (ON ON ON)	60s

- **Memory Swipe Mode (KE-6):**

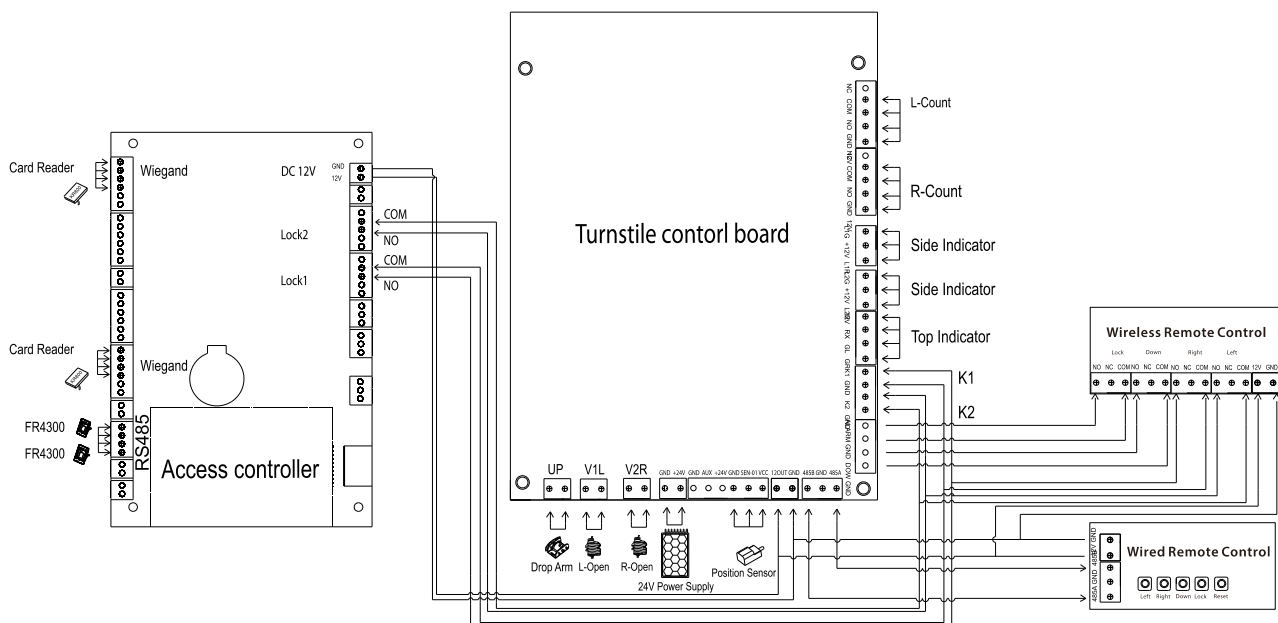
Dial 1 (ON) to turn on.
Dial 0 (OFF) to turn off.

- **Turn on Alarm Mode (KE-8):**

Dial 1 (ON) to turn on.
Dial 0 (OFF) to turn off.

2.2 Wireless Remote Control★

When the controller is powered on, the wireless remote control is not in communication with the controller. Press and hold the DIP switch of the controller to enter the code pairing mode and operate the remote control according to the eight DIP switch codes of the controller.



To code:

1. First, power the controller of the tripod turnstile.
2. Short press the learning button on the controller, and a light corresponding to the button will flash slowly. Then press any switch on the remote control for acquiring the information. After the successful operation, the light turns off.

Clear code:

Long press the learning button on the three roller gate controller for 3 seconds. The learning light stays on for a while then turns off indicating the code is cleared successfully. The original learning remote control cannot be used again and can only be remote-controlled by the code again.

3 **Battery Replacement**★

The battery replacement is applicable only for the wireless remote control product. Batteries' efficiency decreases with time and their life gets over after a certain amount of use. So, you will require to replace the battery over time. It is an indication for battery replacement when the sensitivity of the remote control decreases significantly.

Since the wireless remote control uses a built-in battery, replace it correctly and only if its power is insufficient to function normally.

It is recommended, to contact the manufacturer to consult for battery replacement. The warranty service would be invalid if the battery is replaced by someone other except those licensed to conduct service repairs.

Following are the steps to replace the battery:

1. Unscrew the screw on the back of the wireless remote control with a screwdriver.
2. Replace the old battery with a new one of the same specifications.
3. Check if the remote is functioning by pressing the buttons on the remote.
4. Put the back cover and tighten the screws if the remote is functioning properly.

ZKTeco Industrial Park, No. 32, Industrial Road,

Tangxia Town, Dongguan, China.

Phone : +86 769 - 82109991

Fax : +86 755 - 89602394

www.zkteco.com

